

MIC 150W LED FLOOD LIGHT

LIGHT THE WORLD



ITEM No.: MFL-S150-3

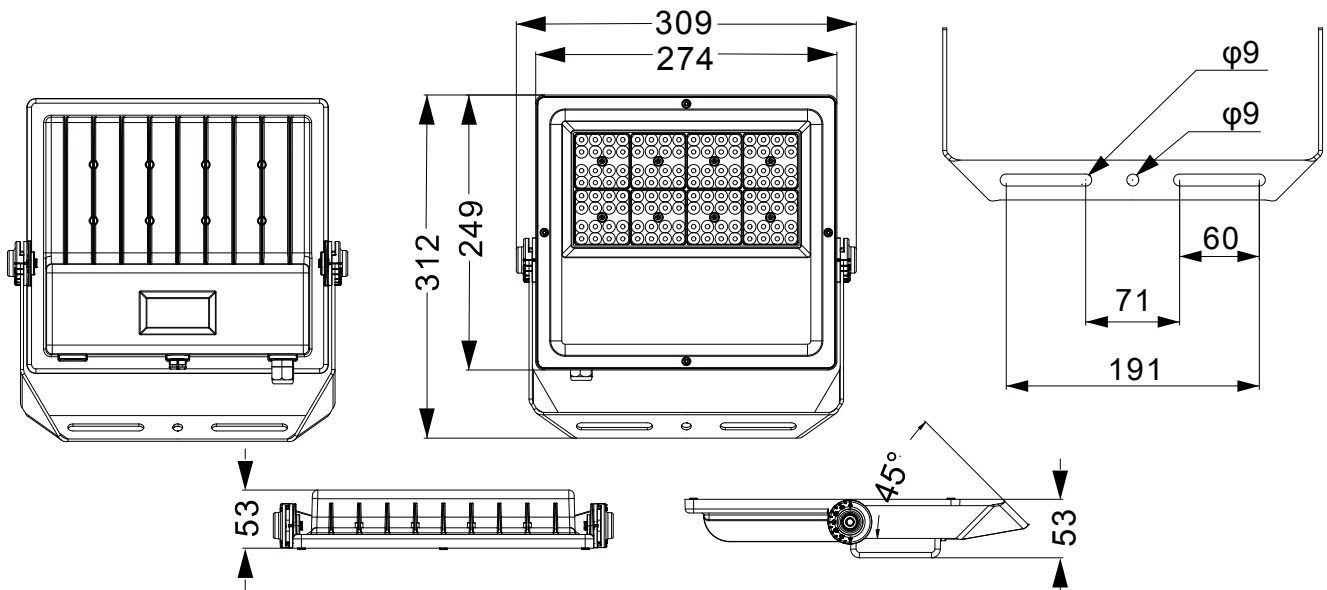
Electrical Specifications

- **Led Power** 150w
- **IP Grade** IP66
- **Input Voltage** AC100-277V(50-60Hz)
- **Operating Temperature** -40°C to +50°C
- **Driver Brand** ZH driver
- **Power Factor (PF)** >0.95
- **Driver Efficiency** >92%
- **Certification** CE,ROHS,TUV,FCC,SAA,ETL/DLC

Photometric & Packing Specifications

- **Led Lamp** 192pcs SMD 2835 **PHILIPS**
- **Lumen Output** >22500LM
- **Light Efficient** 150lm/w
- **Life span** >50000 hours
- **symmetrical** 30°, 60°, 90°, 120°
- **Dissymmetrical** 70°*150°, 80°*155°
- **Guarantee** 4 years
- **CRI** >80
- **CCT** 2700k~6500k
- **Material** Aluminum+Tempered glass
- **NW/GW** 3.6kg / 3.8kg
- **Product size** 312*309*53mm
- **Carton size** 335*336*102mm, 1pcs/CTN

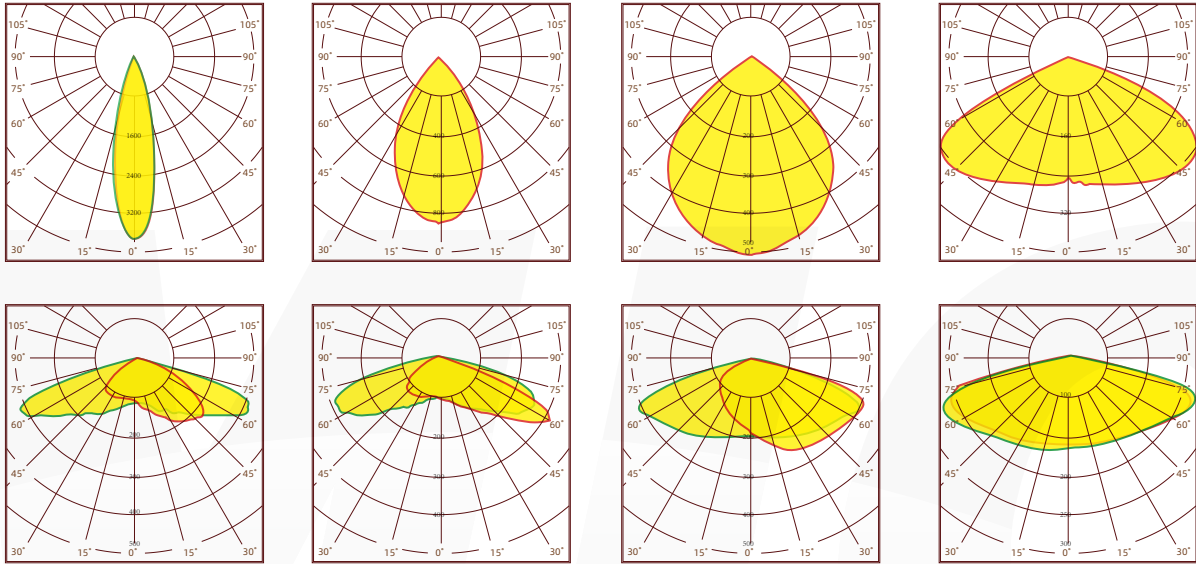
Product size(unit:mm)



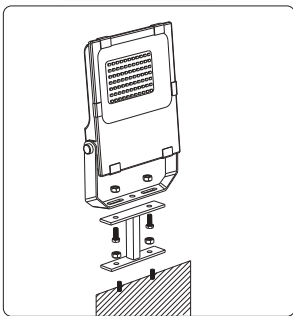
Beam angle

9 different 15° / 30° / 60° / 90° / 120° / T2M / T3M / 50*120° / 30*90° beam angle for option.

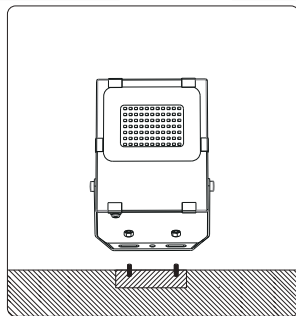
Light distribution diagram



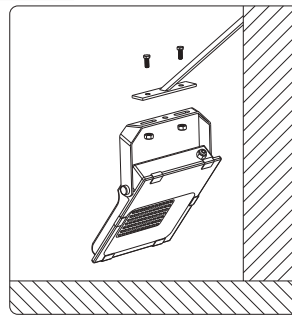
Installation



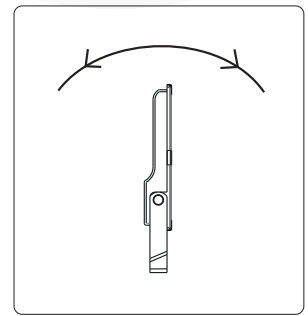
1. Install the lamp by the stand on the ground



2. Install lamp directly



3. Hang the lamp by the stand



4. The angle of the lamp is adjustable

Application

Widely used in workshop, warehouse, highway toll station, supermarket, exhibition building, gymnasium...etc...