

# MIC 50W LED STREET LIGHT

LIGHT THE WORLD



ITEM No.: MSL-S50-1

## Electrical Specifications

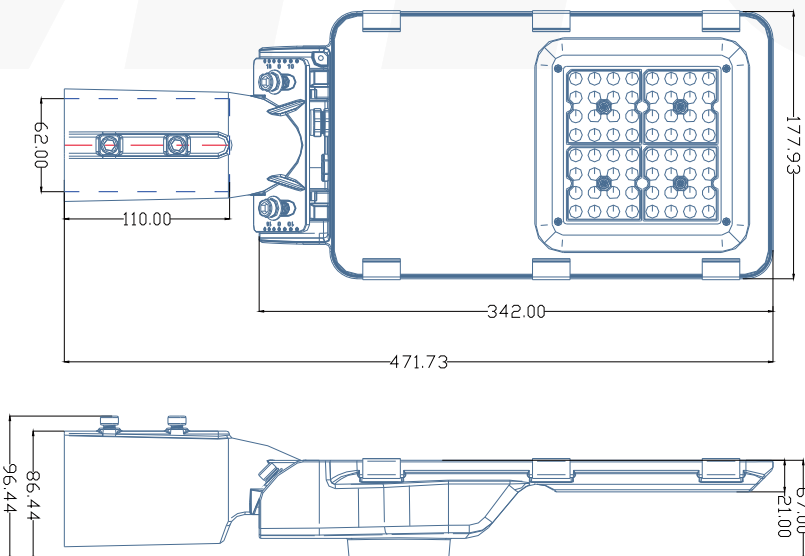
- **Led Power** 50w
- **IP Grade** IP66
- **IK** IK09
- **Input Voltage** 85-305Vac
- **Operating Temperature** -40°C to +50°C
- **Driver Brand** Meanwell or Moso
- **Power Factor (PF)** >0.95
- **Sensor** Photocell (optional)
- **Certification** CE,ROHS,TUV,ETL



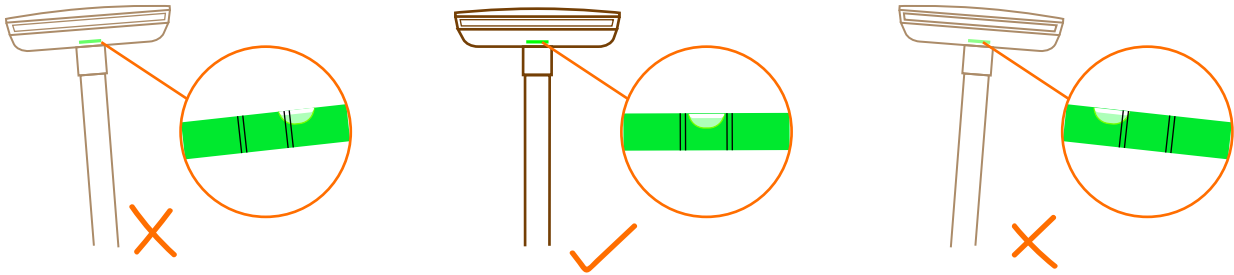
## Photometric & Packing Specifications

- **Led Lamp** SMD 3030 **PHILIPS**
- **Lumen Output** >6500LM
- **Light Efficiency** 130lm/w
- **Led Quantity** 64pcs LEDs
- **Beam Angle** Type (2, 3, 4, 5)
- **Life span** >50000 hours
- **CRI** >80
- **Guarantee** 5 years
- **CCT** 2700k~6500k
- **Fitment Baser** Slip fitter
- **Material** Aluminum+Glass+Optical Lens
- **NW/GW** 2.72kg/2.92kg
- **Product size** 472\*178\*96mm
- **Carton size** 510\*215\*135mm, 1pcs/CTN

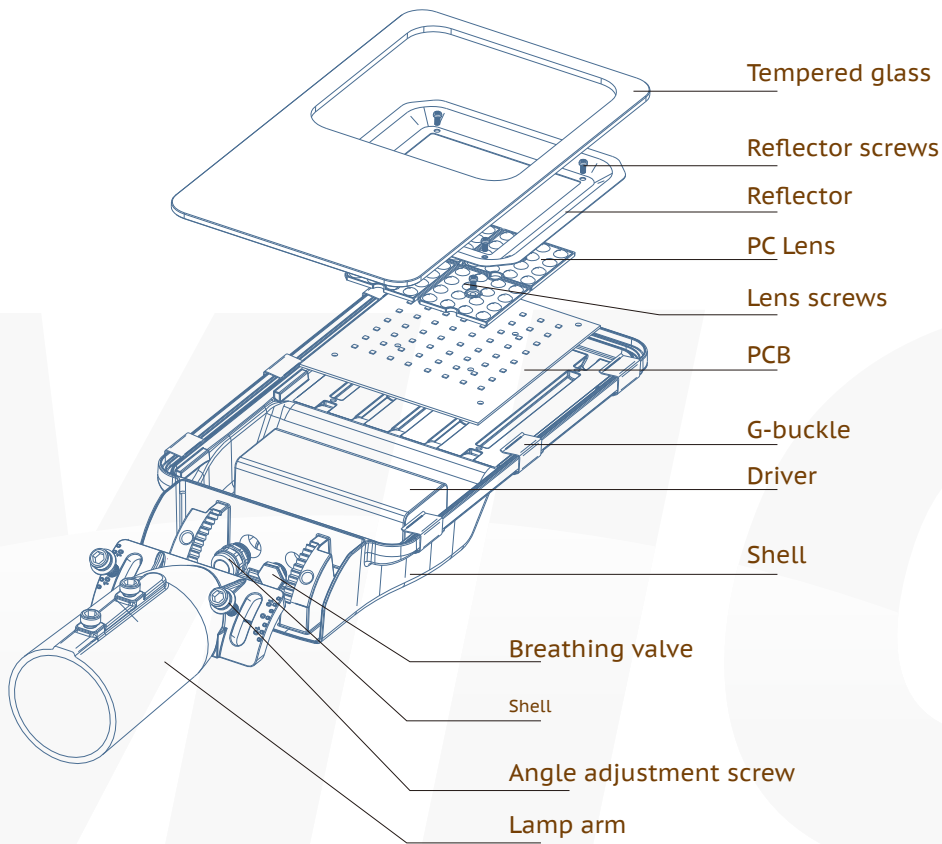
## Product size(Unit:mm)



## Gradienter



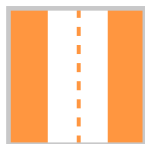
## Exploded view



## Application



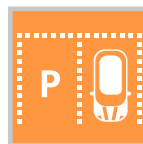
INTERCHANGE



ROADS & MOTORWAYS



URBAN & RESIDENTIAL STREETS



CAR PARKS



BIKE & PEDESTRIAN PATHS



HIGHMAST LIGHTING



SECURITY LIGHTING



INDUSTRIAL HARBOUR



LOADING BAY



SQUARES & PEDESTRIAN AREAS