



MIC 100W LED STREET LIGHT

LIGHT THE WORLD



ITEM No.: MSL-S100-1

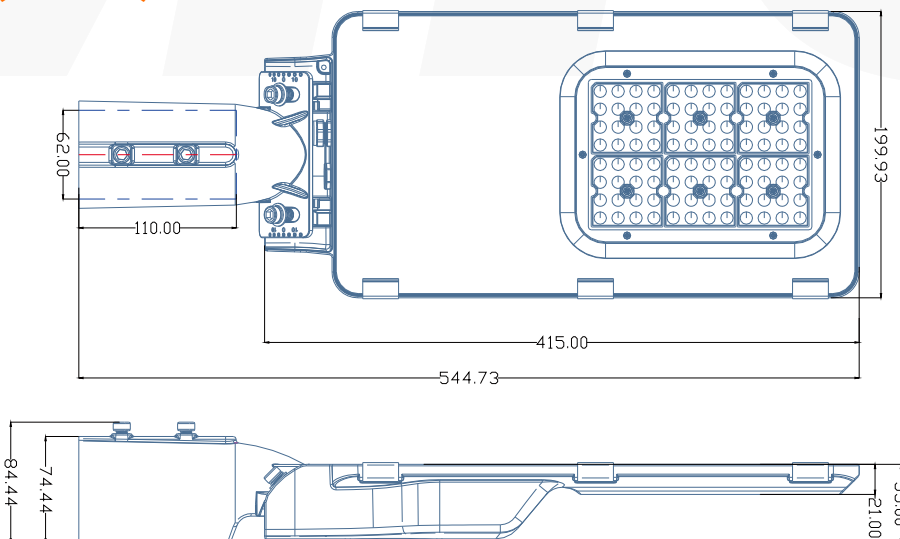
Electrical Specifications

• Led Power	100w
• IP Grade	IP66
• IK	IK09
• Input Voltage	85-305Vac
• Operating Temperature	-40°C to +50°C
• Driver Brand	Meanwell or Moso  
• Power Factor (PF)	>0.95
• Sensor	Photocell (optional)
• Certification	CE,ROHS,TUV,ETL

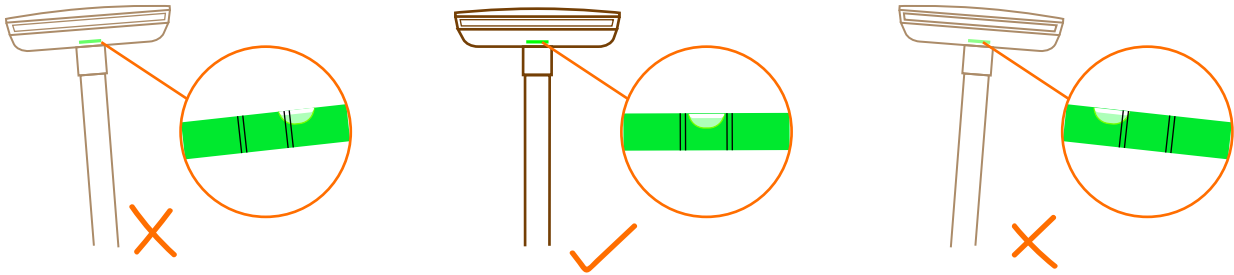
Photometric & Packing Specifications

• Led Lamp	SMD 3030 	• Guarantee	5 years
• Lumen Output	>13000LM	• CCT	2700k~6500k
• Light Efficiency	130lm/w	• Fitment Baser	Slip fitter
• Led Quantity	144pcs LEDs	• Material	Aluminum+Glass+Optical Lens
• Beam Angle	Type (2, 3, 4, 5)	• NW/GW	3kg/3.37kg
• Life span	>50000 hours	• Product size	545*200*85mm
• CRI	>80	• Carton size	610*275*125mm, 1pcs/CTN

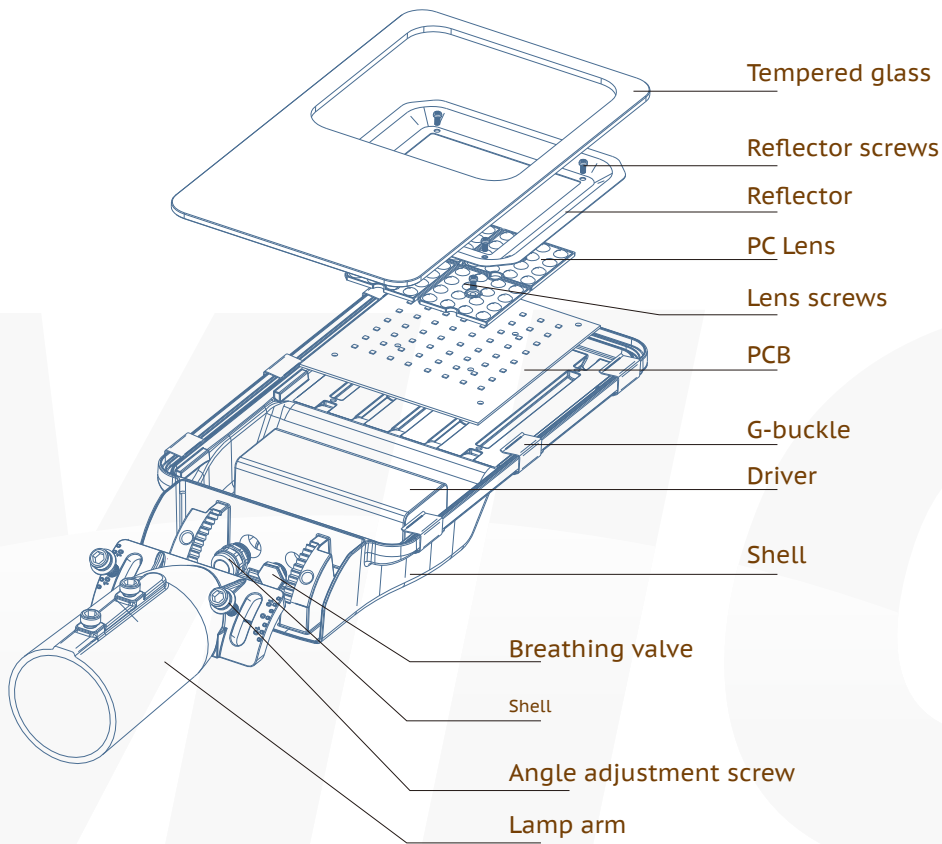
Product size(Unit:mm)



Gradienter



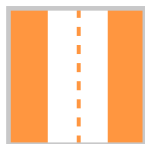
Exploded view



Application



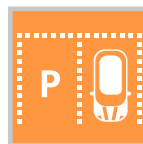
INTERCHANGE



ROADS & MOTORWAYS



URBAN & RESIDENTIAL STREETS



CAR PARKS



BIKE & PEDESTRIAN PATHS



HIGHMAST LIGHTING



SECURITY LIGHTING



INDUSTRIAL HARBOUR



LOADING BAY



SQUARES & PEDESTRIAN AREAS