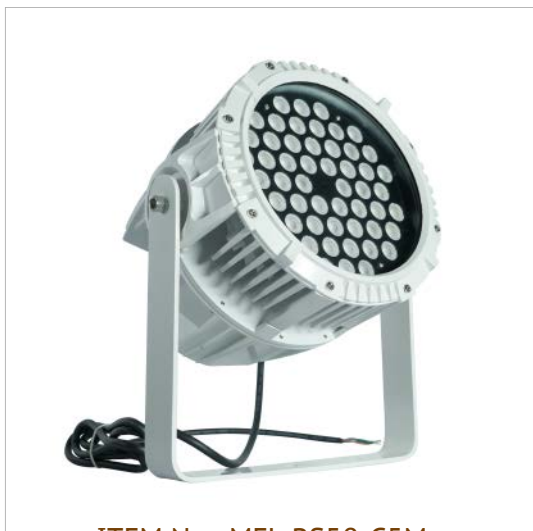



MIC 50W LED FLOOD LIGHT

LIGHT THE WORLD




ITEM No.: MFL-RS50-C5M

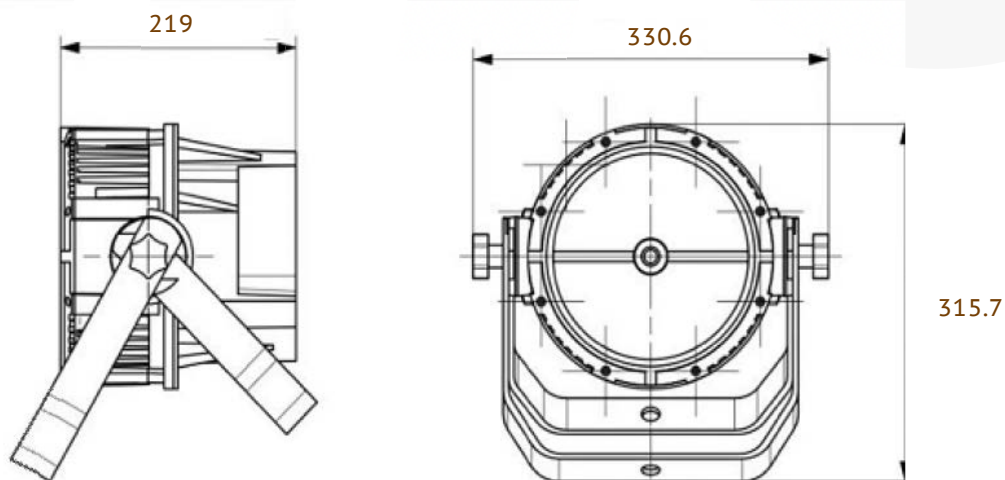
Electrical Specifications

• Led Power	50w	
• IP/IK	IP66/IK08	
• Paint process	C5M coating high resist saline	
• Input Voltage	AC85-300Vac	
• Operating Temperature	-20°C to +50°C	
• Driver Brand	Meanwell driver	
• Power Factor (PF)	>0.95	
• Driver Efficiency	>92%	
• Certification	CE,ROHS,TUV,FCC,ETL/DLC	

Photometric & Packing Specifications

• Led Lamp	SMD 3535 	• Guarantee	3 years
• Led Quantity	54pcs LEDs 1W	• CCT	2700k~6500k
• Lumen Output	>5500LM	• CRI	>70
• Light Efficient	110lm/w	• Weight	5.5kg
• Material	Aluminum/ASA	• Product size	Dia331*219mm
• Life span	>50000 hours	• Carton size	450*350*280mm, 1pcs/CTN

Product size



Key Features

The biggest feature of this floodlight is that it adopts the C5M anti-corrosion grade standard. (The test basis for the C5M anti-corrosion grade standard is ISO 12944-6:1998. This standard clarifies that in humid environments, high salinity, high chlorine concentration and many other The material should have a high level of corrosion resistance under adverse conditions such as fog) and is especially suitable for use in oceans, ship berths, ports, offshore operating platforms and other places.



Waterproof joints and exhaust valves



All accessories/screws is with 304 stainless steel material
Customizable stainless steel nameplate