


MIC 200W LED TUNNEL LIGHT

LIGHT THE WORLD




ITEM No.: MT-B200

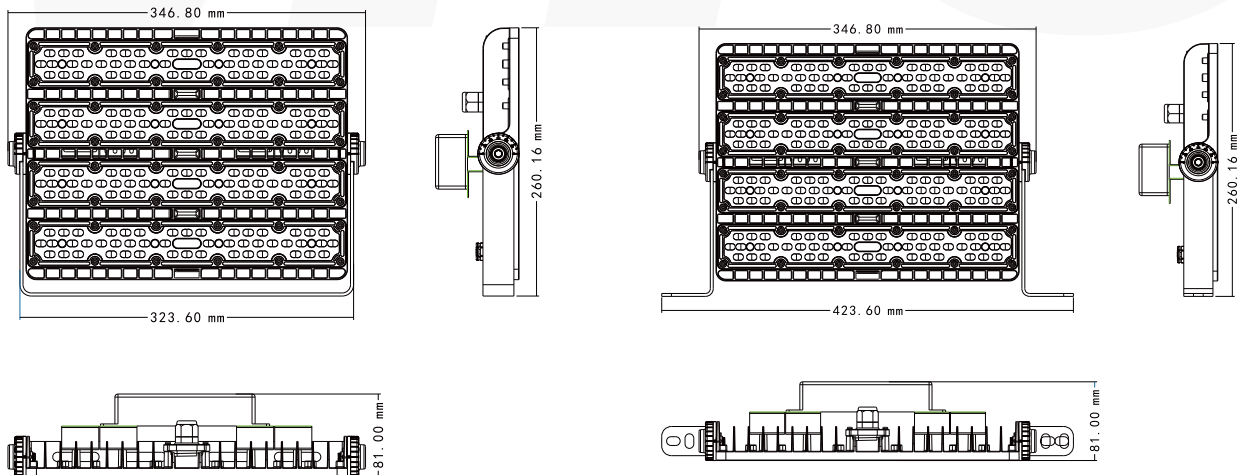
Electrical Specifications

- **Led Power** 200w
- **IP Grade** IP67
- **Input Voltage** AC85-277V
- **Operating Temperature** -40°C to +50°C
- **Driver Brand** UL driver 
- **Power Factor (PF)** >0.95
- **Protection class IK** IK08
- **Certification** CE,ROHS,ETL

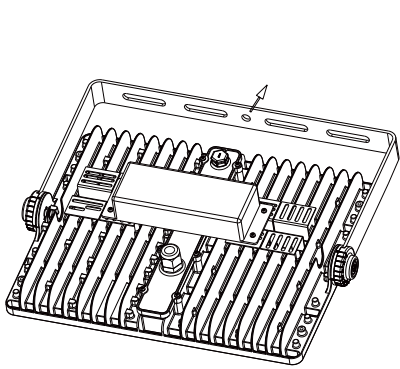
Photometric & Packing Specifications

- **Led Lamp** SMD 3030 
- **Lumen Output** >26000LM
- **Light Efficiency** 130lm/w
- **Led Quantity** 352pcs
- **Life span** >50000 hours
- **CRI** >80
- **Beam angle** 60°,90°,60°*120°,80°*150°, 90°*150°,90°*160°
- **Guarantee** 6 years(Meanwell) & 5 years(Moso)
- **CCT** 2700k~6500k
- **Fitment Baser** Fixed with bolt
- **Material** Die-casting Aluminum+Optical Lens
- **N.W/G.W** 4.8kg/5.5kg
- **Product size** 347*260*81mm
- **Carton size** 377*290*100mm, 1 pcs/CTN

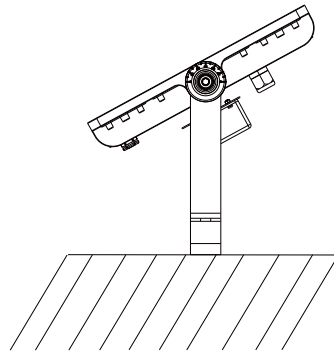
Product size(umiu:mm)



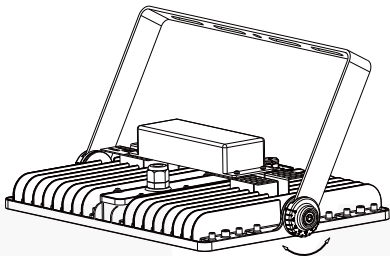
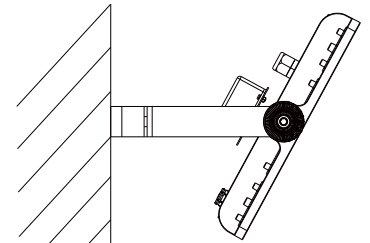
Installation method



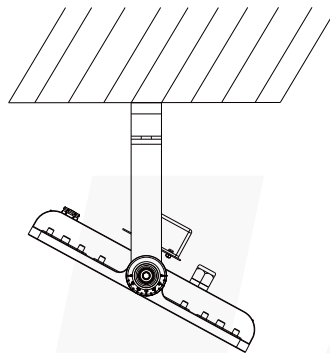
Screw on the wall



Wall

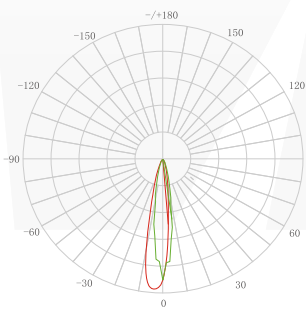


After fixing the bracket, adjust the angle

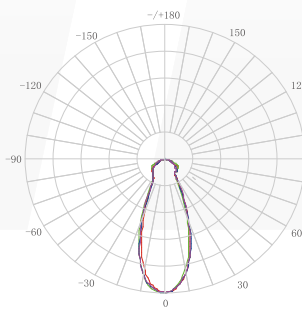


Multi-Angle lens

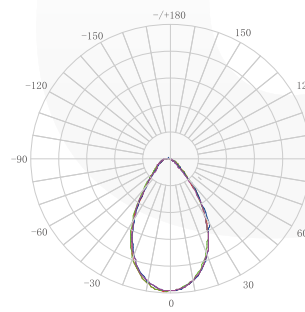
The lens for 60°, 90° and 60°*120°, 80°*150°, 90°*150°, 90°*160° option, it is suit for multiple applications.



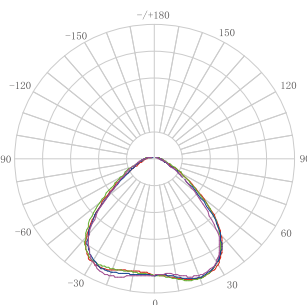
15°



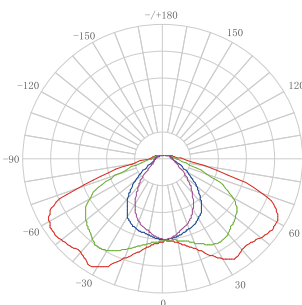
30°



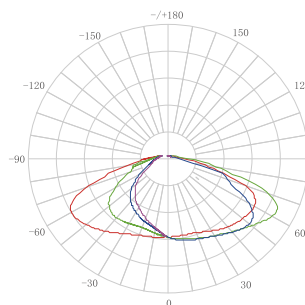
60°



90°



80°*140°



80°*150°