


# MIC 100W LED TUNNEL LIGHT

LIGHT THE WORLD



ITEM No.: MT-B100

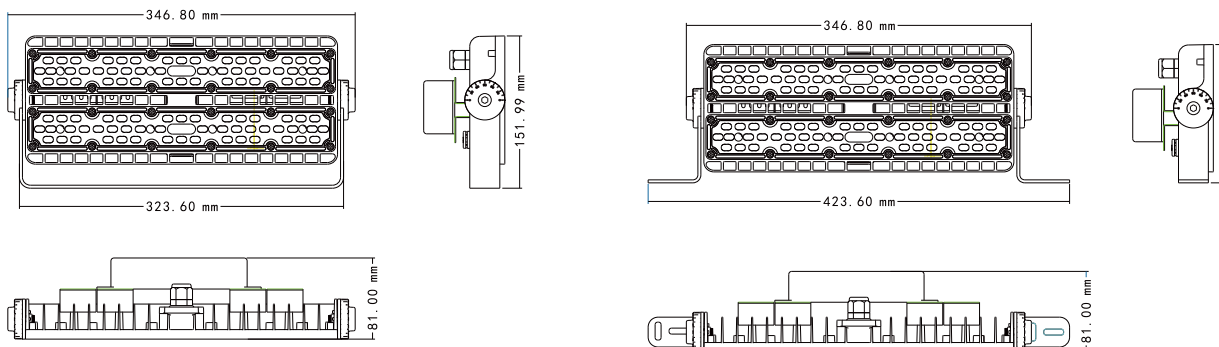
## Electrical Specifications

- **Led Power** 100w
- **IP Grade** IP67
- **Input Voltage** AC85-277V
- **Operating Temperature** -40°C to +50°C
- **Driver Brand** UL driver 
- **Power Factor (PF)** >0.95
- **Protection class IK** IK08
- **Certification** CE,ROHS,ETL

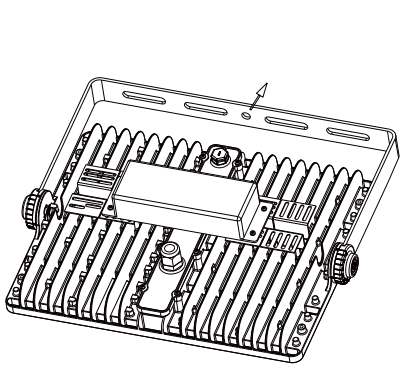
## Photometric & Packing Specifications

- **Led Lamp** SMD 3030 
- **Lumen Output** >6500LM
- **Light Efficiency** 130lm/w
- **Led Quantity** 176pcs
- **Life span** >50000 hours
- **CRI** >80
- **Beam angle** 60°,90°,60°\*120°,80°\*150°, 90°\*150°,90°\*160°
- **Guarantee** 6 years(Meanwell) & 5 years(Moso)
- **CCT** 2700k~6500k
- **Fitment Baser** Fixed with bolt
- **Material** Die-casting Aluminum+Optical Lens
- **N.W/G.W** 2.8kg/3.5kg
- **Product size** 347\*152\*81mm
- **Carton size** 377\*182\*100mm, 1 pcs/CTN

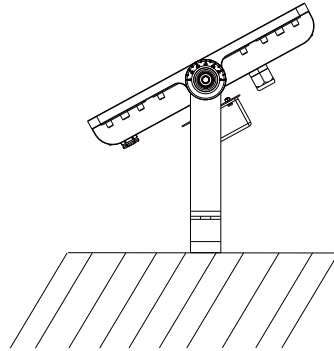
## Product size(umiu:mm)



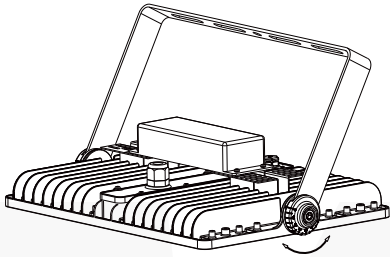
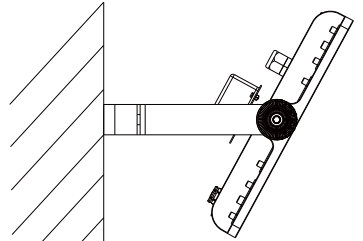
**Installation method**



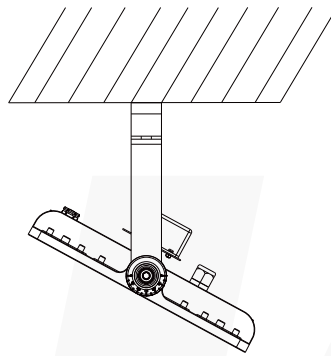
Screw on the wall



Wall

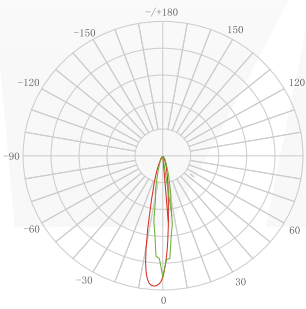


After fixing the bracket, adjust the angle

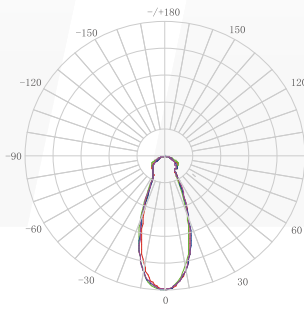


**Multi-Angle lens**

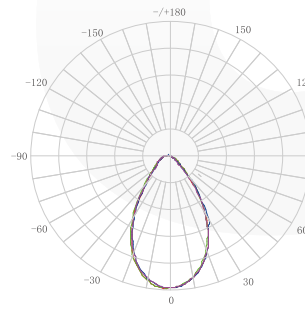
The lens for 60°, 90° and 60°\*120°, 80°\*150°, 90°\*150°, 90°\*160° option, it is suit for multiple applications.



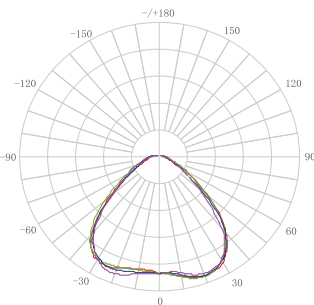
15°



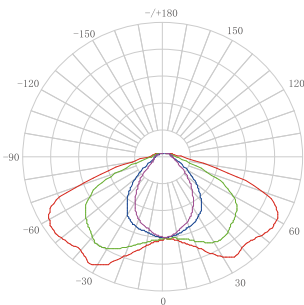
30°



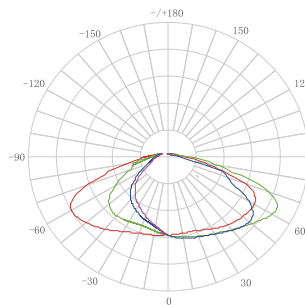
60°



90°



80°\*140°



80°\*150°