




# 150W LINEAR HIGHBAY LIGHT

LIGHT THE WORLD



ITEM No.: MLL-150-1

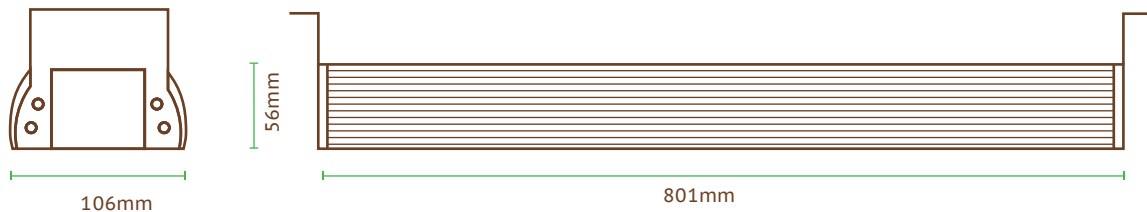
## Electrical Specifications

- **Led Power** 150w
- **IP Grade** IP65 water and dust proof
- **Input Voltage** AC 100-277V(50/60Hz)
- **Operating Temperature** -40°C to +50°C
- **Driver Brand** Meanwell driver 
- **Power Factor (PF)** >0.95
- **Protection class IK** IK10
- **Certification** CE,ROHS,TUV,ETL,DLC

## Photometric & Packing Specifications

<b>Led Lamp</b>	SMD 3030	• <b>Guarantee</b>	5 years
<b>Lumen Output</b>	>18000lm	• <b>PC cover</b>	Transparent
<b>Light Efficiency</b>	120lm/w	• <b>Material</b>	Die-casting Aluminum+optical lens
<b>Sensor</b>	Motion sensor optional	• <b>Mounting</b>	Wall Mounting & Hanging
<b>CCT</b>	3000k~6500k	• <b>NW./GW.</b>	3.8kg/4.85kg
<b>CRI</b>	>80	• <b>Product size</b>	801*106*56mm
<b>Beam angle</b>	5°/25°/40°/60°/75°/90°/120° 30°70°/136°78°/49°21° optional	• <b>Carton size</b>	83*26*17cm, 4pcs/CTN

## Product size(unit:mm)



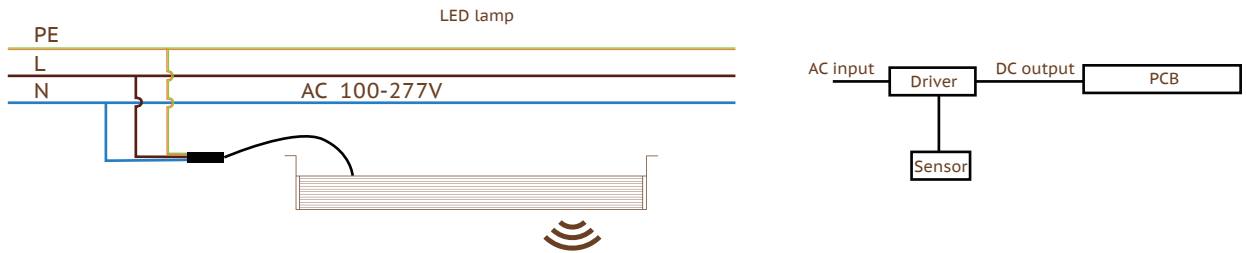
## Application

**Commercial Lighting:** Supermarket, Exhibition hall, Parking place, Etc.

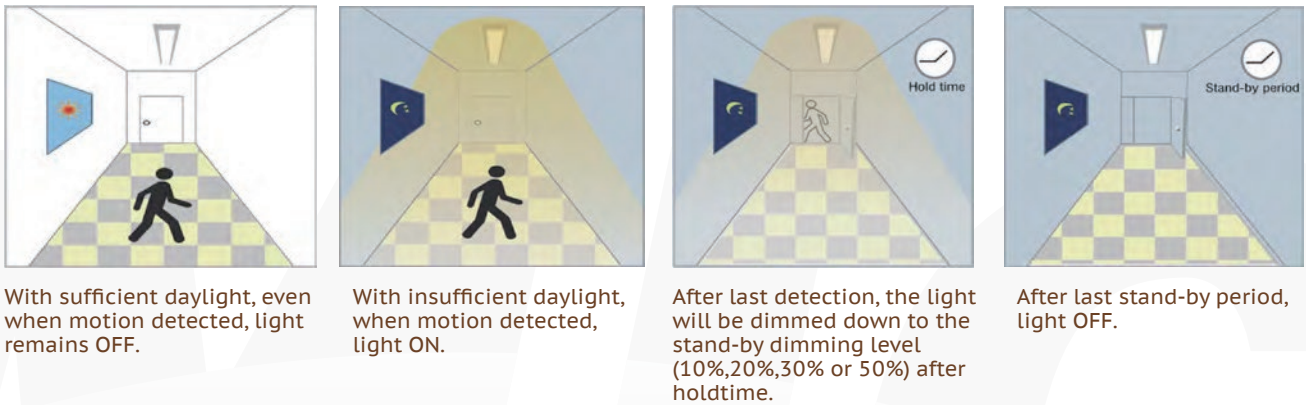
**Public Lighting:** Tunnel, MTR station, Train station, Bus station, Airport, Etc.

**Industrial Lighting:** Factory/Warehouse, Etc.

## Wiring diagram

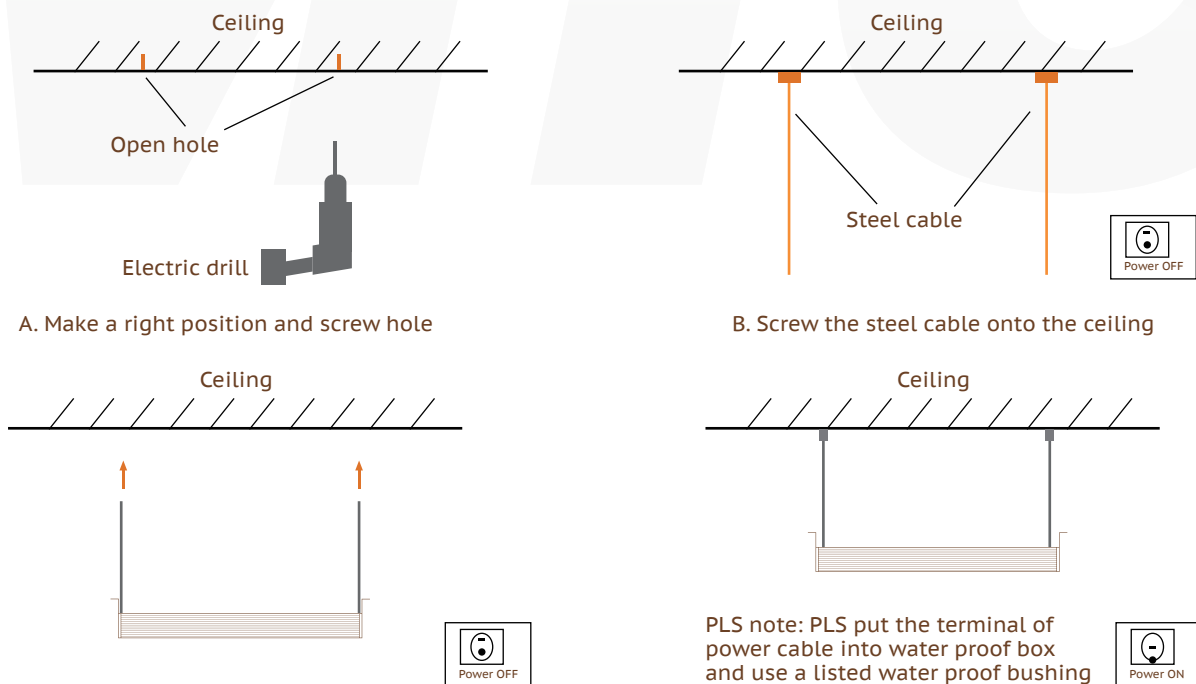


## Steps dimming control demonstration



## Installation

### A. Suspending



A. Make a right position and screw hole

B. Screw the steel cable onto the ceiling

C. Hung the fixture under the steel cable and secure the fixture by steel cable

PLS note: PLS put the terminal of power cable into water proof box and use a listed water proof bushing when you link the power

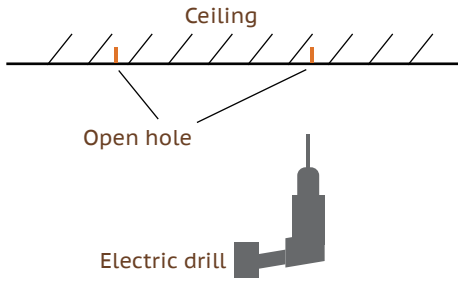
D. Adjust the position of the fixture and clean it.



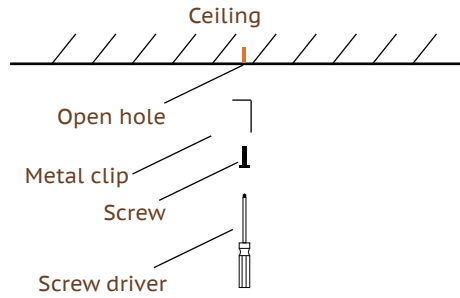
# LINEAR Highbay Light

LIGHT THE WORLD

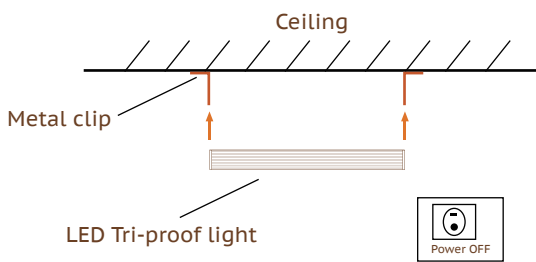
## B. Ceiling mounted



A. Make a right position and screw hole



B. Screw the clip on the ceiling lightly



C. Install the lamp into the clips.

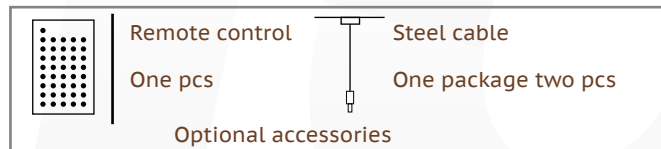
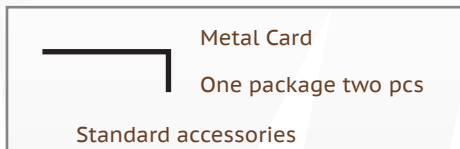


Note: Pls put the terminal of power cable into water proof box and use a listed water proof bushing when you link the power

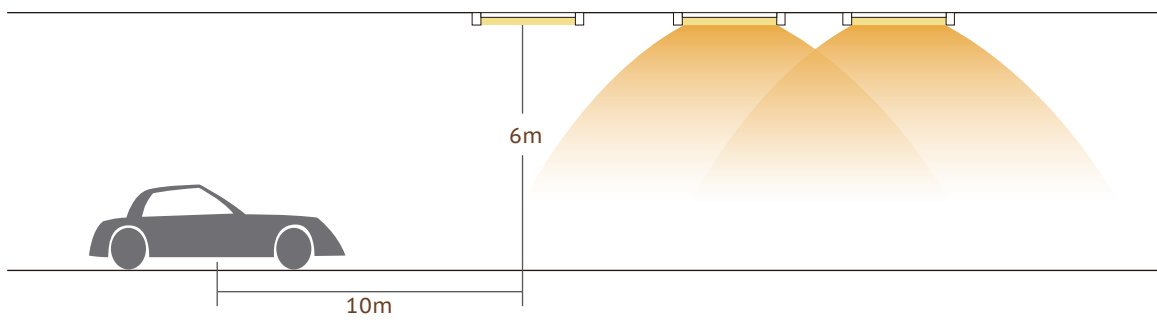


D. Adjust the position of the fixture and clean it.

- Pls note: Above installation "B" belongs to our standard installation, if you want to choose our way of "A" installation then you need to select our optional accessories and pay.



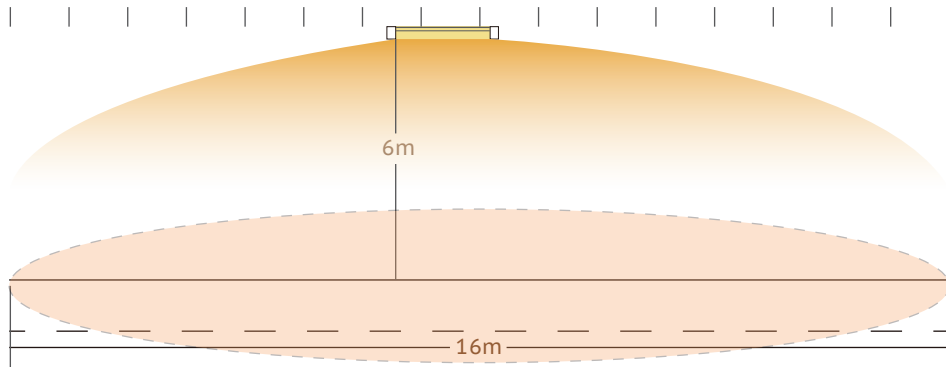
## Special application for underground parking



For general parking, the lamps will light up when the car get close to them, this will make the driver unable to adapt to the light shifting sharply and make the driver uncomfortable. Focus on the LED, we can provide the a perfect solution for such a defect, our lamps will light up automatically when the car is 10 meters away from the lamps.

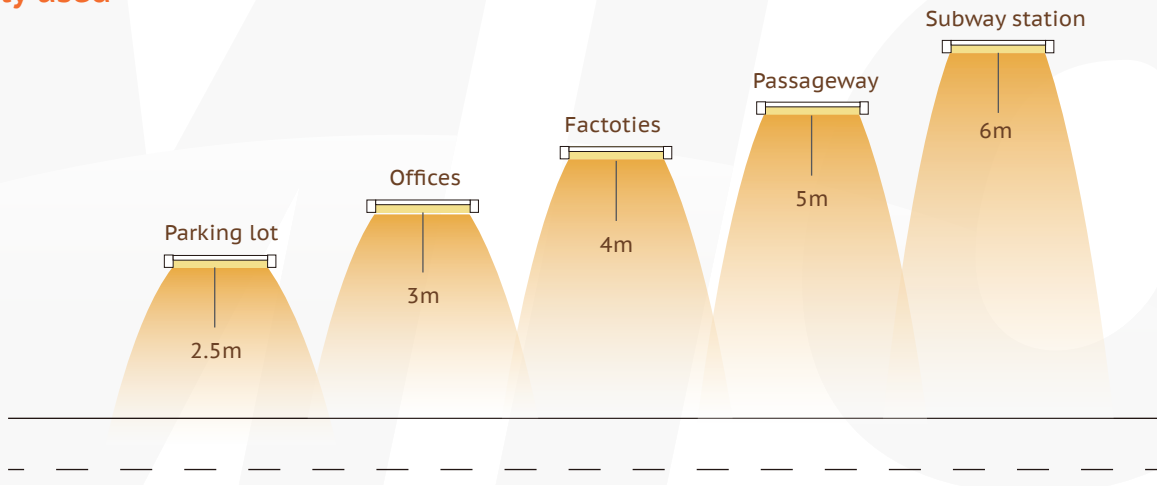


## Detection radius up to 8m, diameter up to 16m



1. The installation distance between the two lamps should be more than 4 meters.
2. The product cannot be used in a small confined space, and adjustment according to actual Use space induction distance geat, and the sensing direction there in no metal, glass objects such as blocking.

## Widely used



## Matters needing attention

1. Before installing the lighting fixtures, please read this instruction manual carefully.
2. The lighting fixtures should be installed, connected and tested by a certified installer based on the local regulations.
3. Consulting the competent electrician if you have any uncertainty about the installation or the use of the product.
4. Lamps should always be installed or replaced with care.
5. Please check the local voltage in accordance with the product requirements before using the product.
6. Do not impact the lighting fixture and all its components by any external weight or mechanical force.
7. Due to the improperly using, or other any man-made damages to the LED light are our responsibility.