



# MIC 200W LED STREET LIGHT

LIGHT THE WORLD




ITEM No.: MSL-D200-1

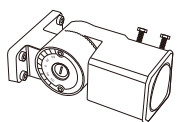
## Electrical Specifications

- **Led Power** 200w
- **IP Grade** IP66
- **Input Voltage** AC 85-305V
- **Operating Temperature** -35°C to +55°C
- **Driver Brand** UL driver  
- **Power Factor (PF)** >0.95
- **Protection class IK** IK08
- **Certification** ETL, DLC, CE, ROHS, TUV, CB, IECCE, SABER

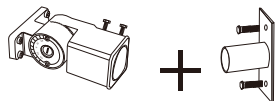
## Photometric & Packing Specifications

- **Led Lamp** SMD 5050 
- **Led Quantity** 96pcs LEDs
- **Lumen Output** >34000LM
- **Light Efficiency** 170lm/w
- **Photometric Type** TYPE II, TYPE III, TYPE IV
- **Life span** >50000 hours
- **CRI** >70
- **Guarantee** 6 years (meanwell) & 5 years (sosen)
- **CCT** 2700k~6500k
- **Material** Die-casting Aluminum+PC
- **Fitment Baser** Slip fitter
- **NW/GW** 7.5kg/8.5kg
- **Product size** 569\*291\*94mm
- **Carton size** 623\*345\*145mm, 1pcs/CTN

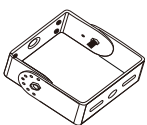
## Installation method



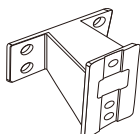
Slip Fitter



Adapter



Trunnion

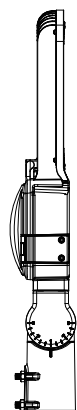
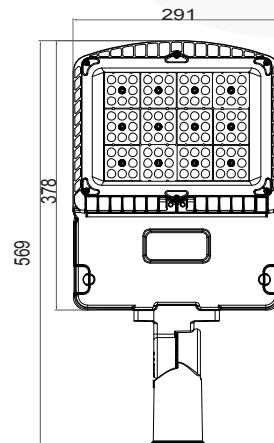


Arm



Dia50-60

## Product size

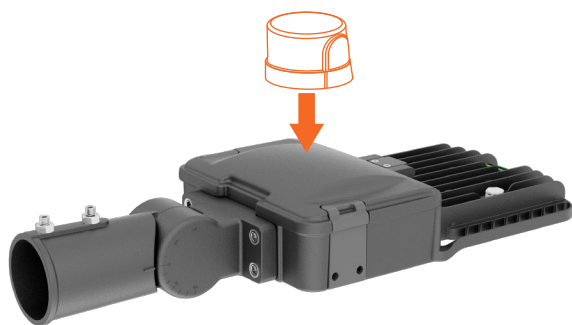


94

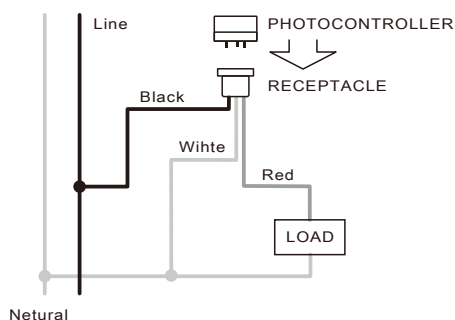


## Photocell Sensor Optional

Automatically switches a light on at dusk and off at dawn.



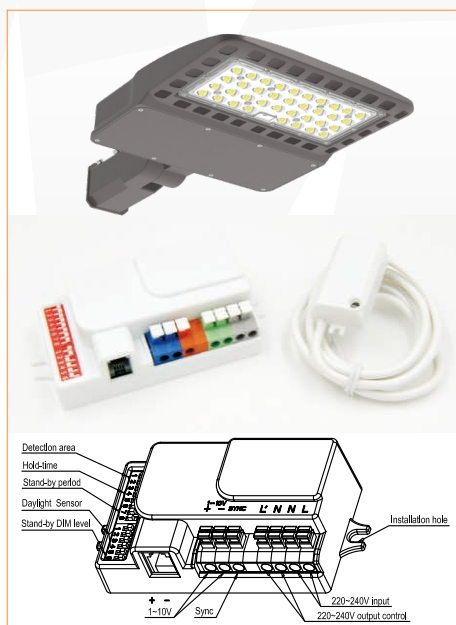
wiring scheme



Disconnect power; wire the receptacle according to the diagram in right hand, Push the photocontroller on and twist it clockwise to lock it into the receptacle.

<b>Model</b>	JL-205C	<b>Power Consumption</b>	1.5VA
<b>Rated Voltage</b>	110-277VAC	<b>On/Off Level</b>	6Lx On, 50Lx Off
<b>Rated Frequency</b>	50/60Hz	<b>Ambient Temp</b>	-40 C~+70 C
<b>Rated Loading</b>	1000W Tungsten, 1800VA Ballast	<b>Related Humidity</b>	99%

## Microwave Motion Sensor Optional



### Detection Pattern

Operating voltage	120-277Vac, 50/60Hz
Rated load	400W @120Vac, 800W@220-277Vac(inductive)
HF system	5.8GHz±75MHz, ISM wave band
Transmitting power	<0.5mW
Power consumption	<1W(standby)
Detection zone	8m(@3m mounting height)
Detection sensitivity	25% / 50% / 75% / 100%
Hold time	5s / 30s / 90s / 3min / 20min / +∞
Daylight sensor	5 / 15 / 30 / 50 / 100 / 150 / Disable(lux)
Stand-by period	0s / 5s / 5min / 10min / 30min / 1h / +∞
Stand-by dimming level	10% / 20% / 30% / 50%
Mounting height	10m Max
Motion detection	0.5~3m/s
Operating temperature	-20°C ~ 60°C
Detection angle	150°(wall installation), 360°(ceiling installation)

Led shoebox light could connect with Microwave Motion Sensor, function requirements of detection area, time delay and daylight threshold can be precisely set via DIP switch.

MC605V/D is an innovative and active motion detectors with HF system 5.8GHz.

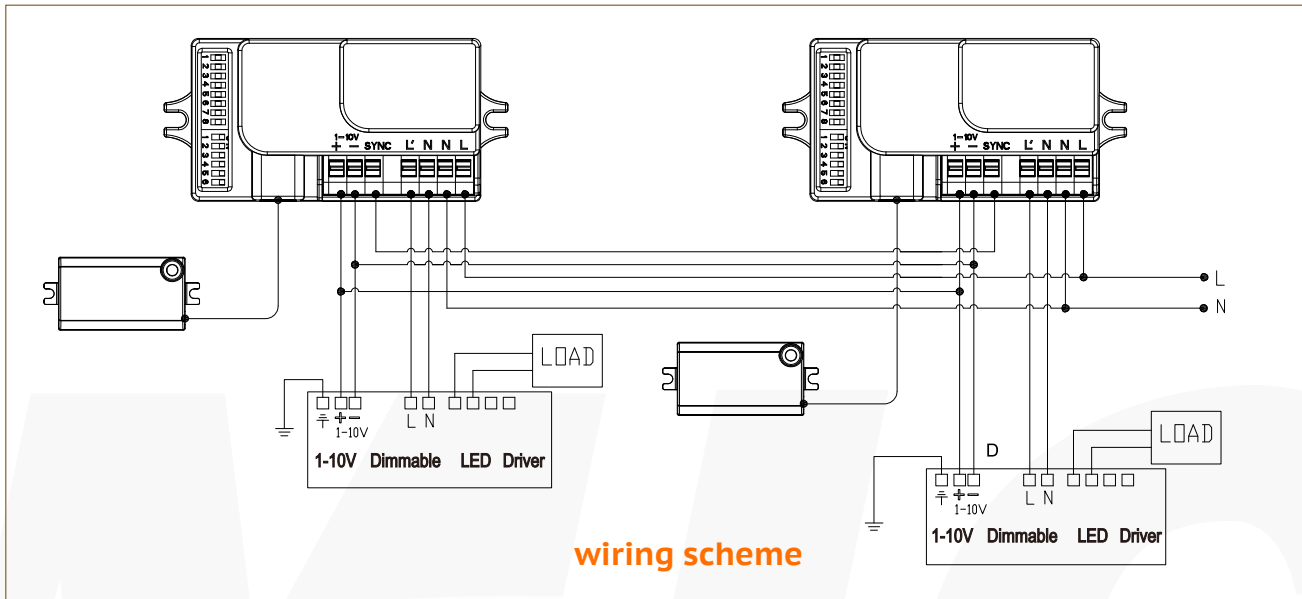
Dimming Function

## 3-step dimming function

When used in combination with 1-10V dimmable LED drivers and ballasts, the sensors can achieve 3-step dimming function, 100%---> low light--->off. And the sensors build in adjustable daylight sensors, very easy to install and cost-effective.

## 2-step dimming function

Also, the sensors can provide 2-step dimming function, 100 %---> low light (Never turn off). They are particularly suitable for use in Urban roads, Industrial areas, Residential areas, Sidewalks, Parking lot, Schools, Gardens where low light levels are maintained until motion is detected.



**Warning: Do cut off electrical source in order to avoid electrical shock and endanger life-safety before installation.**

**Install height from floor higher than 1.2m.**

### Step 1:

Start installation of the street light.

Turn the street light to the back side, loose the 2 screws on the swivel.

### Step 2:

Connect the cables.

Connect the L,N,GND cables on the lamp to the corresponding L,N,GND cables on the lamp pole.

### Step 3:

Fixation of the LED Street Lights.

Install the street light to the lamp pole, adjust the LED street light to be of horizontal level. Fasten the 2 screws on the swivel.

## Safety rope

1. Pass the ends of the safety rope through the hole in the lamp body and lock it with Wire rope clip.
2. Move the other end of the safety rope around the lamppost and lock it with a wire rope. (attach the other end of the safety rope to the expansion bolt on the wall.)



Wire rope dip/ din741: A=M3



Safety rope: 59.0"(1.5m)

## Installation steps

Step 1: Make the following electrical connections:

- a. Connect INPUT GROUND conductor to GREEN WIRE position of the terminal block or GROUND conductor of LED driver.
- b. Connect INPUT VOLTAGE conductor to BROWN WIRE position of the terminal block or LINE conductor of LED driver.
- c. Connect INPUT NEUTRAL conductor to BLUE WIRE position of the terminal block or NEUTRAL conductor of LED driver.

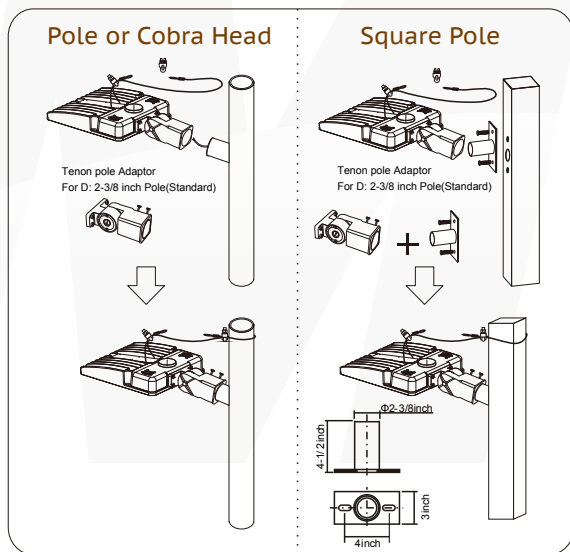
STEP 2: Make sure all excess input wires are pushed into pole, screws are tightened.

STEP 3: Close cover by firmly pushing cover towards fixture, making sure that no wires are pinched and Sealing gasket are fully engaged.

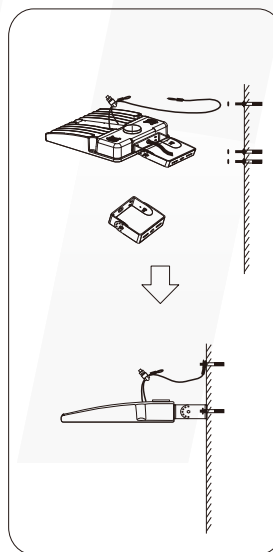
STEP 4: IF the fixture without a terminal block, please insulate all electrical connections with wire nuts suitable for at least 90 C.

STEP 5: After installation , sealed by waterproof glue between fixture and pole.

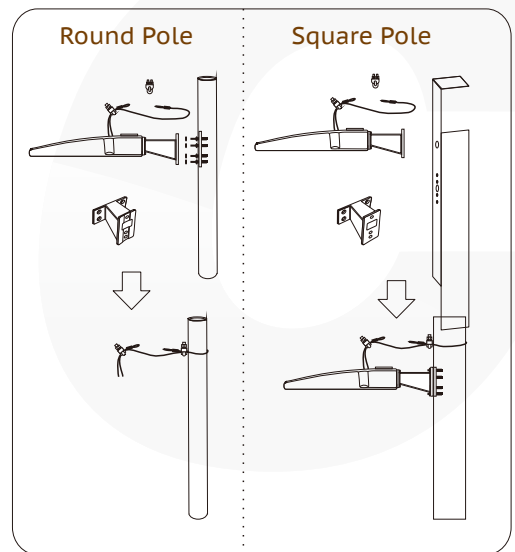
### 1.Slip Fitter



### 2.Trunnion



### 3.Arm



## Packing box

Model	Carton size	Weight	Qty
MSL-D50/75-1	575* 257* 145mm	5.7/6.2kg	1pcs
MSL-D100/150-1	562* 345* 145mm	7.5/7.8kg	1pcs
MSL-D200-1	623* 345* 145mm	8.5kg	1pcs
MSL-D240/300-1	733* 360* 145mm	9.5/11kg	1pcs
MSL-D400-1	895* 360* 145mm	12kg	1pcs

