


MIC 100W LED STREET LIGHT

LIGHT THE WORLD



ITEM No.: MSL-A100-1

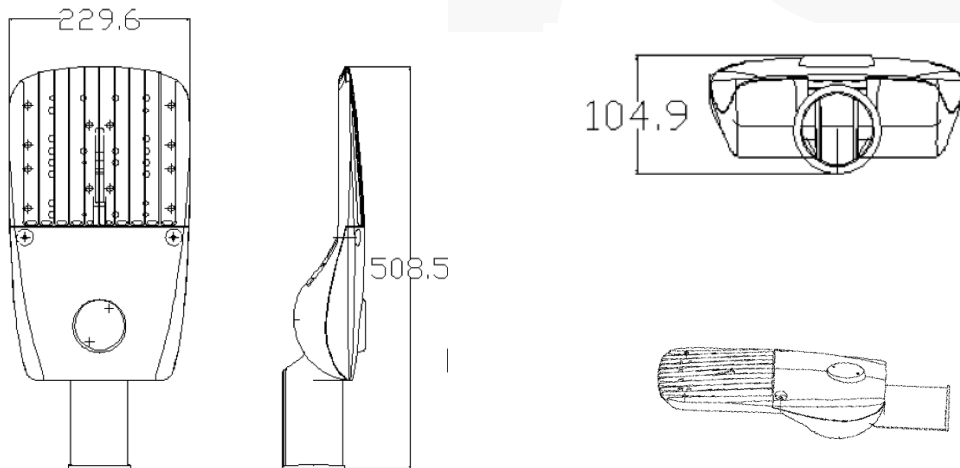
Electrical Specifications

- **Led Power** 100w
- **IP Grade** IP66
- **Input Voltage** 85-305V AC, 12V/24V DC
- **Operating Temperature** -40°C to +50°C
- **Driver Brand** UL/CE driver 
- **Power Factor (PF)** >0.95
- **Sensor (Optional)** Photocell & Microwave
- **Certification** CE,ROHS,TUV,ETL

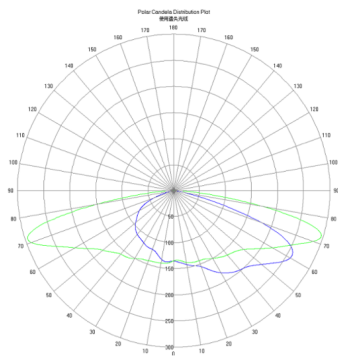
Photometric & Packing Specifications

- | | |
|--------------------------------------------------------------------------------------------------------------|-----------------------------------------------------------------------------------------------------------------|
| • Led Lamp SMD 3030  | • Guarantee 5 years  |
| • Lumen Output >13000LM | • CCT 2700k~6500k |
| • Light Efficiency 130lm/w | • Fitment Baser Slip fitter |
| • Led Quantity 160pcs LEDs | • Material Die-casting Aluminum+Optical Lens |
| • Beam Angle Type III, Type IV | • NW/GW 2.3kg/2.8kg |
| • Life span >50000 hours | • Product size 509*230*105mm |
| • CRI >80 | • Carton size 525*260*150mm, 1pcs/CTN |

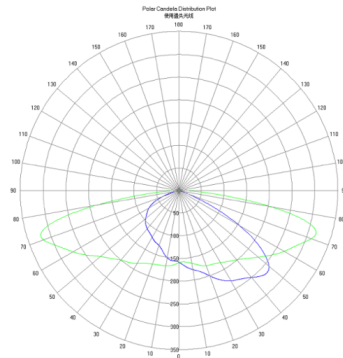
Product size



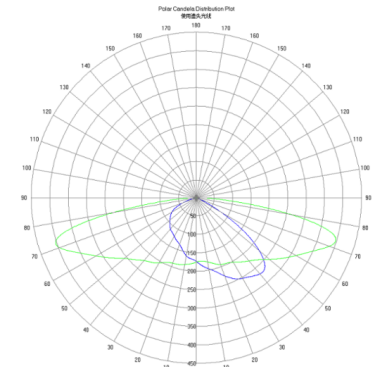
Spectrum (Three lens available)



Type II

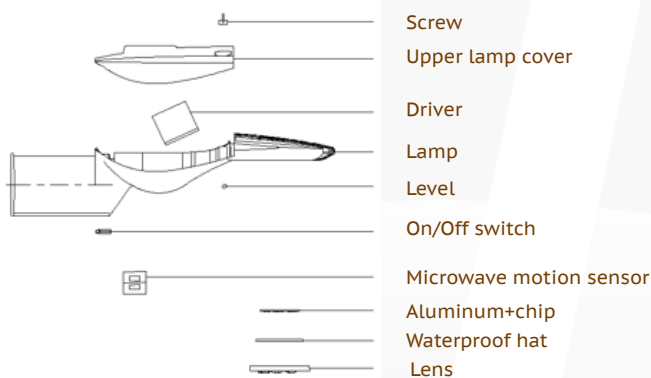


Type III



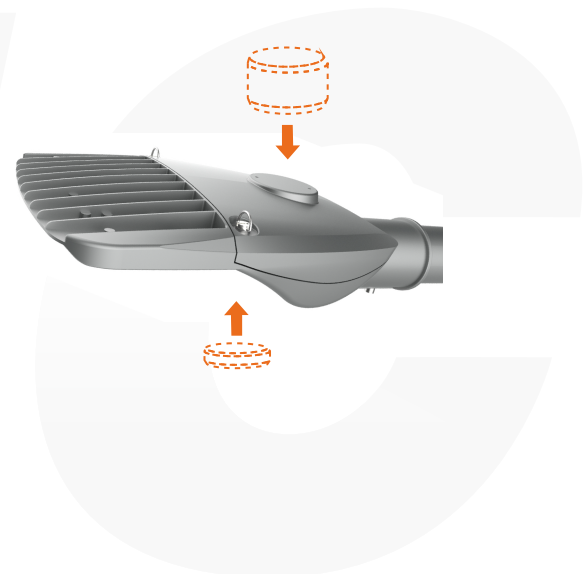
Type IV

Explosion structure



Sensor

The standard type is without sensor. Photocell & Microwave sensor is available if needed.



Product Features

1. Using high bright SMD 3030 or SMD 5050.
2. Adopts integrated design of heat sink and lamp housing. The LED is directly connected to the outer casing, and the heat dissipation fins transfer the light source heat out fast, which fully ensure the lifetime 50,000 hours of the LED street light.
3. The lamp housing is made of die-casting aluminum, and the reasonable structure design ensure the effective heat dissipation performance, waterproof and dustproof. The luminaire surface is with UV-resistant and anti-corrosive treatment, and the overall luminaire meets the IP66 standard.
4. It adopts standard ADC12 die-casting aluminum, which is environmentally friendly and pollution-free. It does not contain lead, mercury and other pollution elements, and has no pollution to the environment.