


# MIC 600W LED PLANT GROW LIGHT

LIGHT THE WORLD



ITEM No.: MGL-600-1

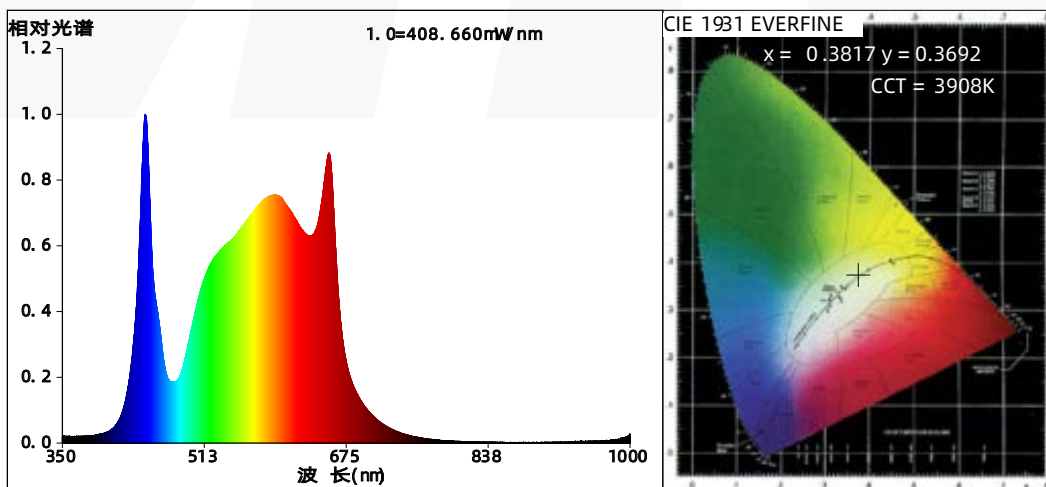
## Electrical Specifications

- **Led Power** 600w
- **IP Grade** IP65
- **Input Voltage** AC 100-240V
- **Operating Temperature** -40°C to +50°C
- **Driver Brand** UL driver 
- **Power Factor (PF)** >0.95
- **Protection class IK** IK10
- **Certification** CE,ROHS,TUV,SAA,C-tick

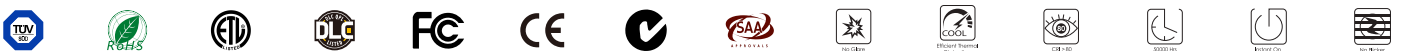
## Photometric & Packing Specifications

- |                       |                                   |                        |                             |
|-----------------------|-----------------------------------|------------------------|-----------------------------|
| • <b>Application</b>  | Seedling & Veg & Bloom            | • <b>Guarantee</b>     | 5 years                     |
| • <b>Mounting</b>     | Ceiling or hanging mounted        | • <b>Material</b>      | Aluminum                    |
| • <b>Lumen Output</b> | Full Spectrum                     | • <b>Product size</b>  | 1143*99*81mm                |
| • <b>Wavelength</b>   | Red 660nm                         | • <b>Inner packing</b> | 1260*1590*150mm, 9kg        |
| • <b>Led Lamp</b>     | 1200pcs white +<br>80pcs Red leds | • <b>Outer cartons</b> | 128*34*31cm, 4pcs/CTN, 37kg |

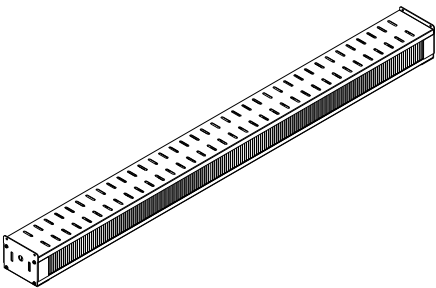
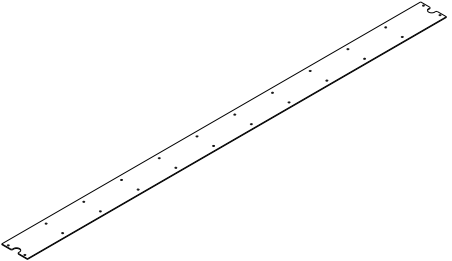
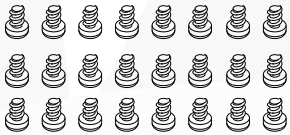
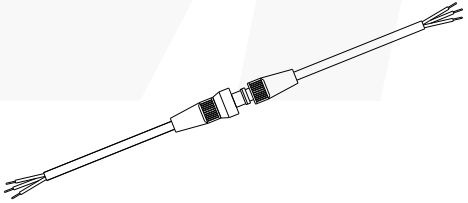
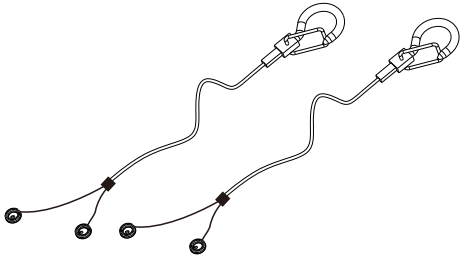
## Spectral power distribution



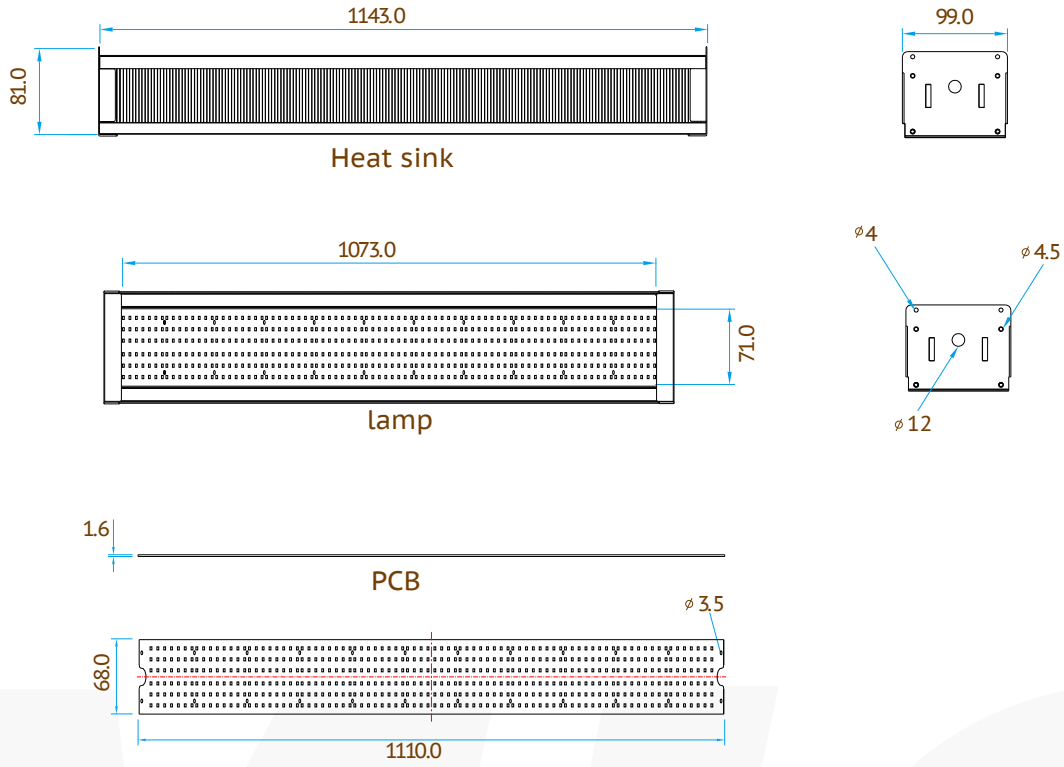
Efficiency: 2.4  $\mu$  mol/J  
Wavelength: Red 660nm



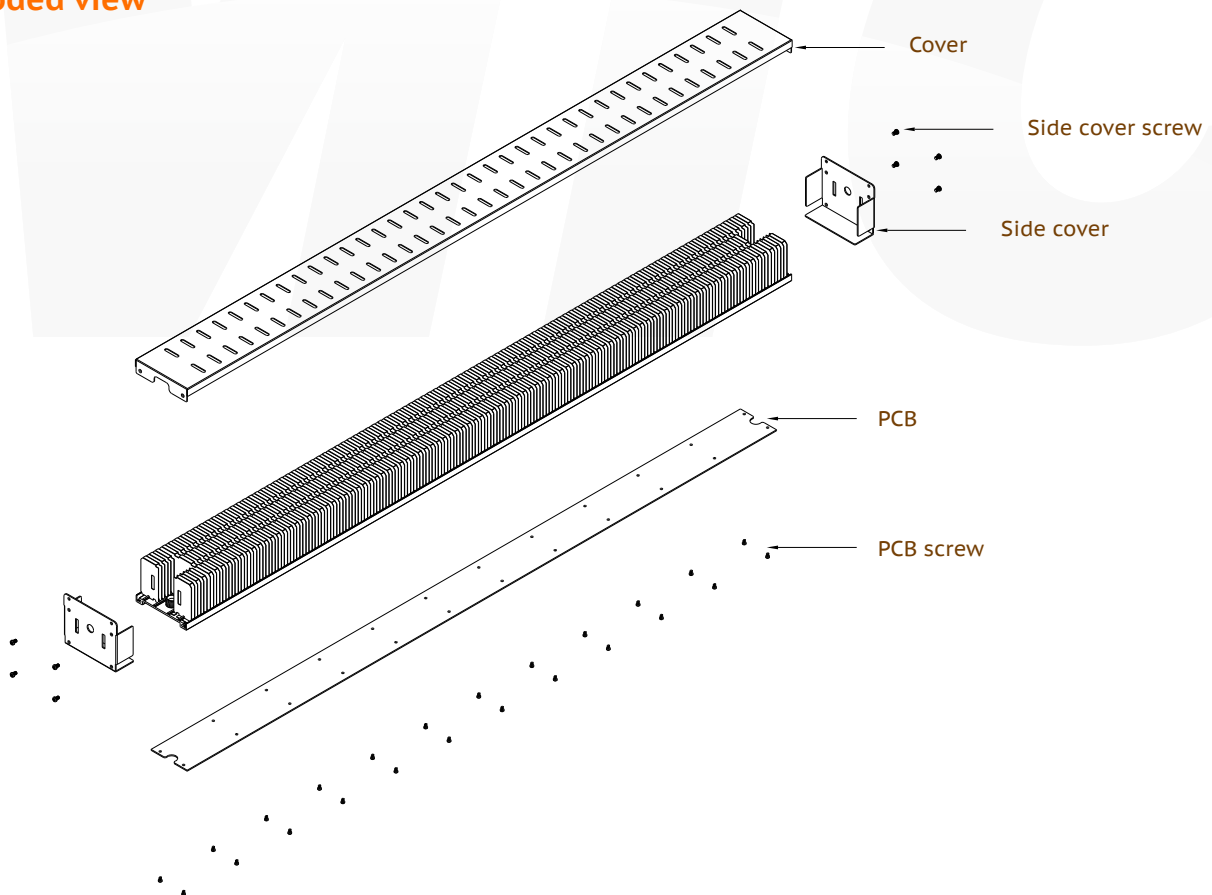
**Product accessories list**

	<h3>Heat sink</h3> <table border="0"> <tr> <td><b>Material</b></td> <td>Al1050</td> </tr> <tr> <td><b>Process</b></td> <td>Folding+riveting</td> </tr> <tr> <td><b>Surface process</b></td> <td>Baking varnish, black and white</td> </tr> <tr> <td><b>Cooling area</b></td> <td>23239cm<sup>2</sup></td> </tr> </table>	<b>Material</b>	Al1050	<b>Process</b>	Folding+riveting	<b>Surface process</b>	Baking varnish, black and white	<b>Cooling area</b>	23239cm <sup>2</sup>
<b>Material</b>	Al1050								
<b>Process</b>	Folding+riveting								
<b>Surface process</b>	Baking varnish, black and white								
<b>Cooling area</b>	23239cm <sup>2</sup>								
	<h3>Lamp panel</h3> <table border="0"> <tr> <td><b>Material</b></td> <td>Aluminium alloy</td> </tr> <tr> <td><b>Process</b></td> <td>Exposure process</td> </tr> <tr> <td><b>Surface process</b></td> <td>Screen printing white oil</td> </tr> </table>	<b>Material</b>	Aluminium alloy	<b>Process</b>	Exposure process	<b>Surface process</b>	Screen printing white oil		
<b>Material</b>	Aluminium alloy								
<b>Process</b>	Exposure process								
<b>Surface process</b>	Screen printing white oil								
	<h3>Screw</h3> <table border="0"> <tr> <td><b>Material</b></td> <td>SUS304</td> </tr> <tr> <td><b>Specifications</b></td> <td>BB3*4</td> </tr> <tr> <td><b>Quantity</b></td> <td>24pcs</td> </tr> </table>	<b>Material</b>	SUS304	<b>Specifications</b>	BB3*4	<b>Quantity</b>	24pcs		
<b>Material</b>	SUS304								
<b>Specifications</b>	BB3*4								
<b>Quantity</b>	24pcs								
	<h3>Waterproof connector</h3> <table border="0"> <tr> <td><b>Material</b></td> <td>Rubber</td> </tr> <tr> <td><b>length</b></td> <td>30CM</td> </tr> <tr> <td><b>waterproof level</b></td> <td>IP66</td> </tr> </table>	<b>Material</b>	Rubber	<b>length</b>	30CM	<b>waterproof level</b>	IP66		
<b>Material</b>	Rubber								
<b>length</b>	30CM								
<b>waterproof level</b>	IP66								
	<h3>Wire sling</h3> <table border="0"> <tr> <td><b>Material</b></td> <td>SUS304</td> </tr> <tr> <td><b>length</b></td> <td>30CM</td> </tr> <tr> <td><b>waterproof level</b></td> <td>IP66</td> </tr> </table>	<b>Material</b>	SUS304	<b>length</b>	30CM	<b>waterproof level</b>	IP66		
<b>Material</b>	SUS304								
<b>length</b>	30CM								
<b>waterproof level</b>	IP66								

**Product dimension (Unit:mm)**



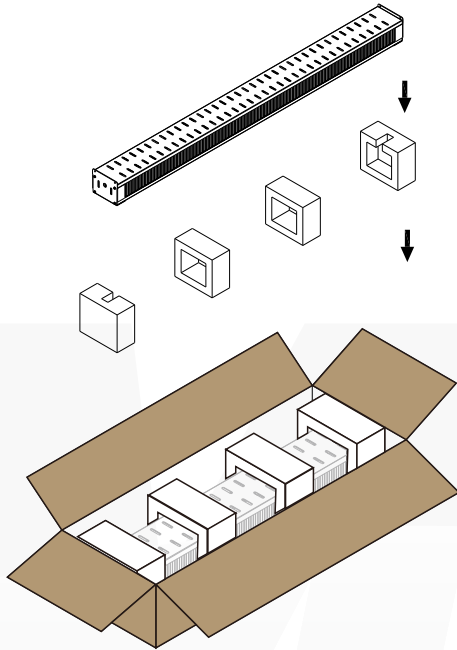
**Exploded view**



## Packing specification

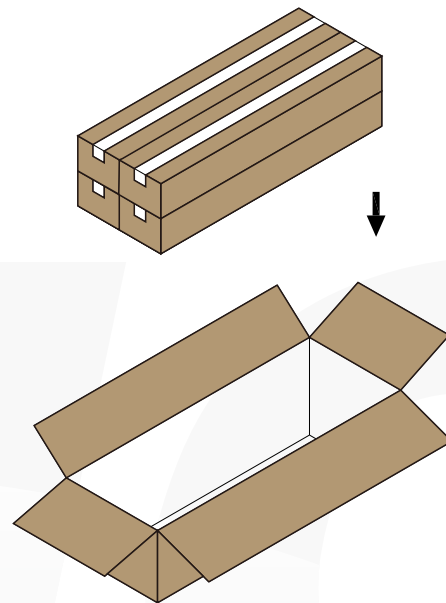
### 1 product box

length: 1263mm  
Width: 159mm  
Height: 144mm  
Weight: 3.3kg  
MSL: 8 storeys



### 4 product packaging

length: 1280mm  
Width: 335mm  
Height: 306mm  
Weight: 13.5kg  
MSL: 5 storeys



## Features

- The heat dissipation solution is designed for greenhouse and high bay indoor plant lamp.
- It has a variety of installation types optional, easy and fast install, and adapt to your house. Slim appearance is very good to greenhouse supply or high bay indoor lighting that without shadow during daytime.
- Our folding heat sink used twisting technology. Folding technology enlarge the dissipation area which 40% larger than similar products. But weight lighter 60% than similar products. Three-sided ventilate design good for heat dissipation.
- Heat dissipation solution typical case apply for
  - Greenhouse plant lamp lighting
  - Plant growth lamp lighting
  - High power lamp lighting, high bay lamp etc.