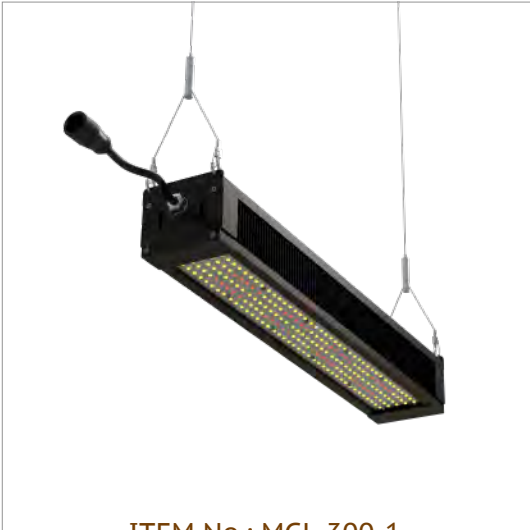



MIC 300W LED PLANT GROW LIGHT

LIGHT THE WORLD



ITEM No.: MGL-300-1

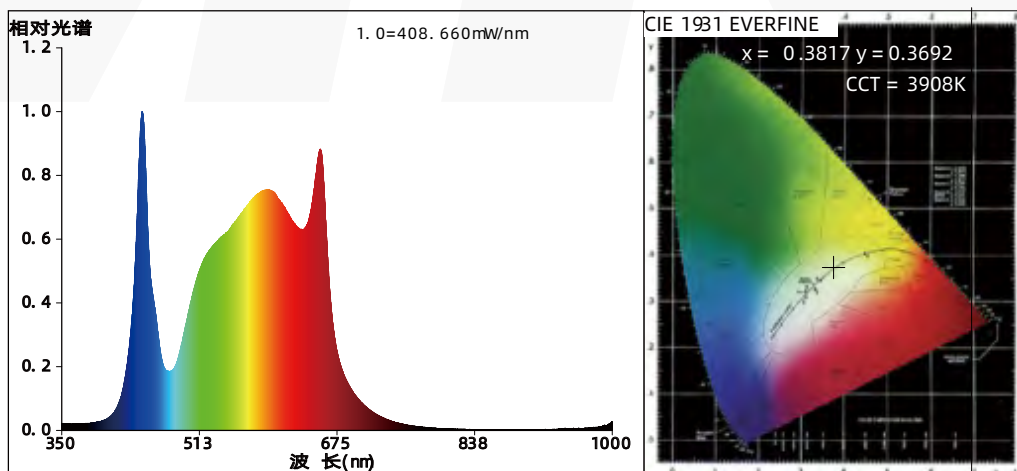
Electrical Specifications

- **Led Power** 300w
- **IP Grade** IP65
- **Input Voltage** AC 100-240V
- **Operating Temperature** -40°C to +50°C
- **Driver Brand** UL driver 
- **Power Factor (PF)** >0.95
- **Protection class IK** IK10
- **Certification** CE,ROHS,TUV,SAA,C-tick

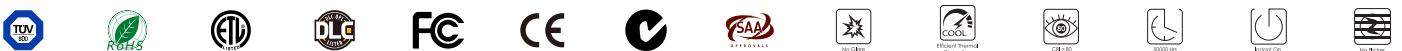
Photometric & Packing Specifications

- | | | | |
|-------------------------|-------------------------------|------------------------|----------------------------|
| • Application | Seedling & Veg & Bloom | • Guarantee | 5 years |
| • Mounting | Ceiling or hanging mounted | • Material | Aluminum |
| • Lumen Output | Full Spectrum | • Product size | 573*99*81mm |
| • Wavelength Led | Red 660nm | • Inner packing | 670*160*150mm, 5.5kg |
| • Lamp | 600pcs white + 40pcs Red leds | • Outer cartons | 68*34*45cm, 6pcs/CTN, 34kg |

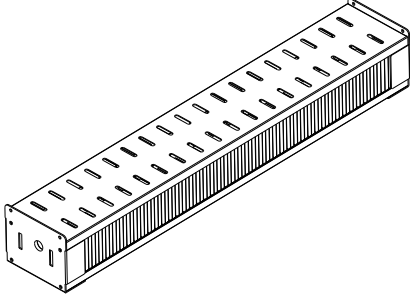
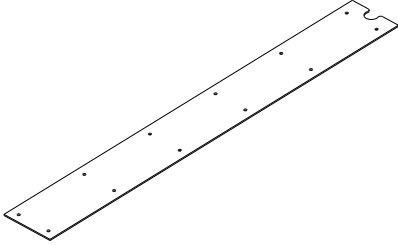
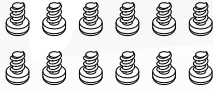
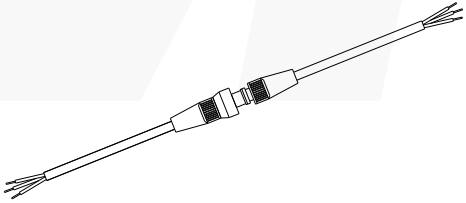
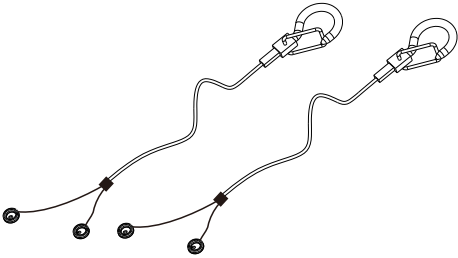
Spectral power distribution



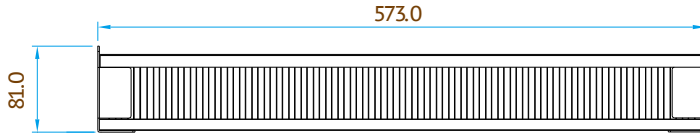
Efficiency: 2.4 μ mol/J
Wavelength: Red 660nm



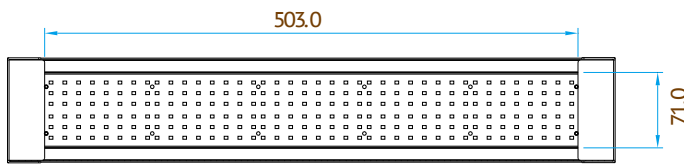
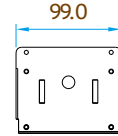
Product accessories list

	<h3>Heat sink</h3> <table border="1"> <tr> <td>Material</td> <td>Al1050</td> </tr> <tr> <td>Process</td> <td>Folding+riveting</td> </tr> <tr> <td>Surface process</td> <td>Baking varnish, black and white</td> </tr> <tr> <td>Cooling area</td> <td>11619cm²</td> </tr> </table>	Material	Al1050	Process	Folding+riveting	Surface process	Baking varnish, black and white	Cooling area	11619cm ²
Material	Al1050								
Process	Folding+riveting								
Surface process	Baking varnish, black and white								
Cooling area	11619cm ²								
	<h3>Lamp panel</h3> <table border="1"> <tr> <td>Material</td> <td>Aluminium alloy</td> </tr> <tr> <td>Process</td> <td>Exposure process</td> </tr> <tr> <td>Surface process</td> <td>Screen printing white oil</td> </tr> </table>	Material	Aluminium alloy	Process	Exposure process	Surface process	Screen printing white oil		
Material	Aluminium alloy								
Process	Exposure process								
Surface process	Screen printing white oil								
	<h3>Screw</h3> <table border="1"> <tr> <td>Material</td> <td>SUS304</td> </tr> <tr> <td>Specifications</td> <td>BB3*4</td> </tr> <tr> <td>Quantity</td> <td>12pcs</td> </tr> </table>	Material	SUS304	Specifications	BB3*4	Quantity	12pcs		
Material	SUS304								
Specifications	BB3*4								
Quantity	12pcs								
	<h3>Waterproof connector</h3> <table border="1"> <tr> <td>Material</td> <td>Rubber</td> </tr> <tr> <td>length</td> <td>30CM</td> </tr> <tr> <td>waterproof level</td> <td>IP66</td> </tr> </table>	Material	Rubber	length	30CM	waterproof level	IP66		
Material	Rubber								
length	30CM								
waterproof level	IP66								
	<h3>Wire sling</h3> <table border="1"> <tr> <td>Material</td> <td>SUS304</td> </tr> <tr> <td>length</td> <td>30CM</td> </tr> <tr> <td>waterproof level</td> <td>IP66</td> </tr> </table>	Material	SUS304	length	30CM	waterproof level	IP66		
Material	SUS304								
length	30CM								
waterproof level	IP66								

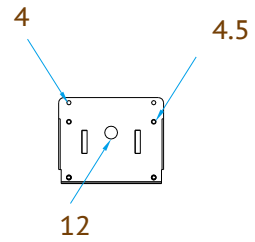
Product dimension (Unit:mm)



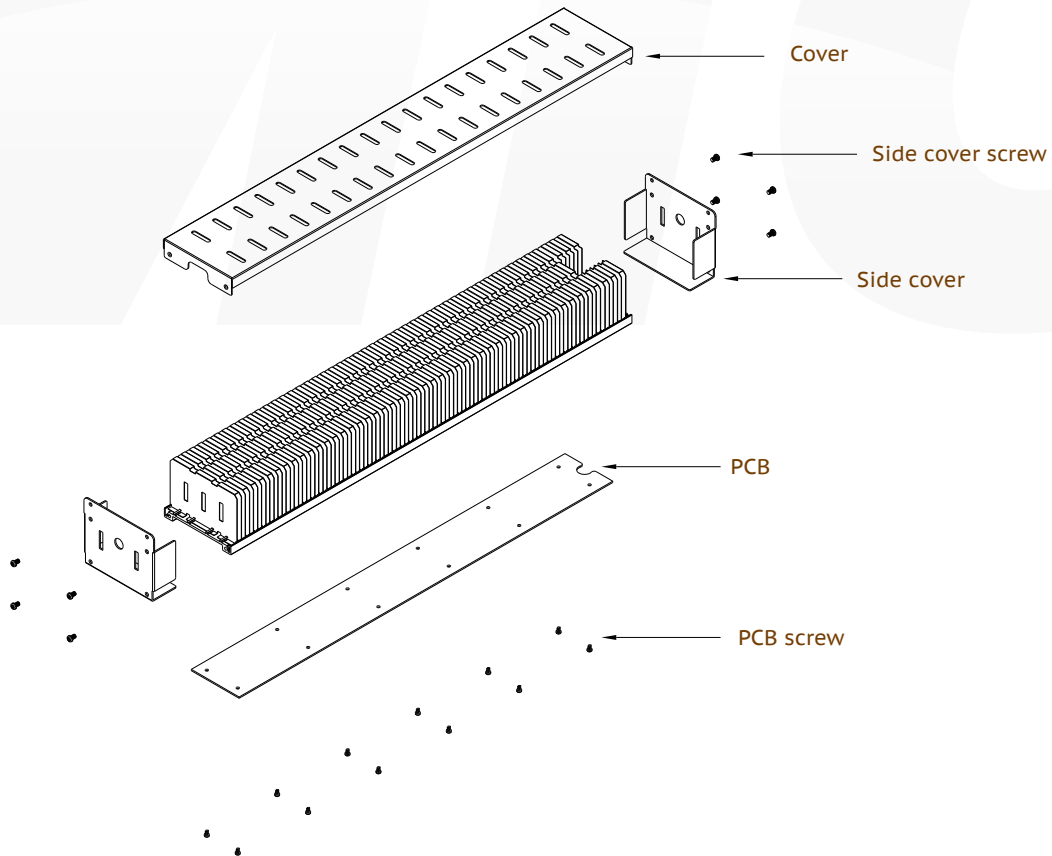
Heat sink



lamp



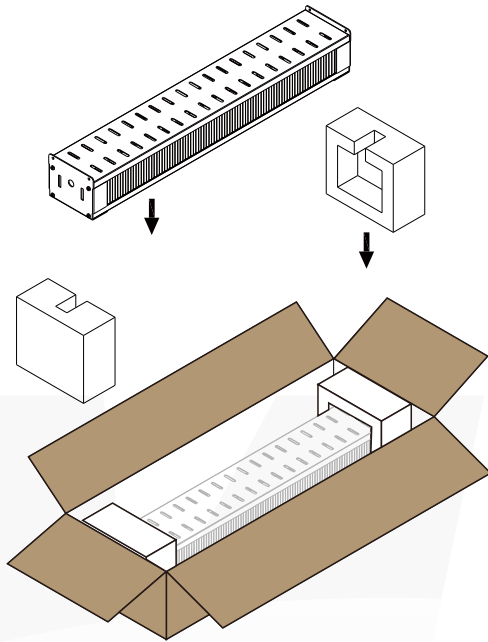
Exploded view



Packing specification

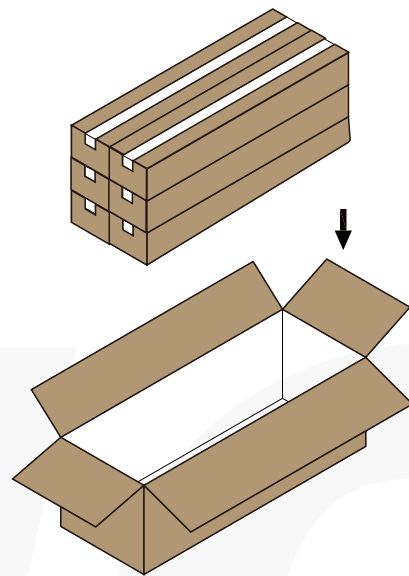
1 product box

length: 663mm
Width: 159mm
Height:144mm
Weight: 1.7kg
MSL: 8 storeys



6 product packaging

length: 680mm
Width: 335mm
Height: 450mm
Weight: 11.4kg
MSL: 4 storeys



Features

- The heat dissipation solution is designed for greenhouse and high bay indoor plant lamp.
- It has a variety of installation types optional, easy and fast install, and adapt to your house.
Slim appearance is very good to greenhouse supply or high bay indoor lighting that without shadow during daytime.
- Our folding heat sink used twisting technology. Folding technology enlarge the dissipation area which 40% larger than similar products. But weight lighter 60% than similar products. Three-sided ventilate design good for heat dissipation.
- Heat dissipation solution typical case apply for
 - Greenhouse plant lamp lighting
 - Plant growth lamp lighting
 - High power lamp lighting, high bay lamp etc.